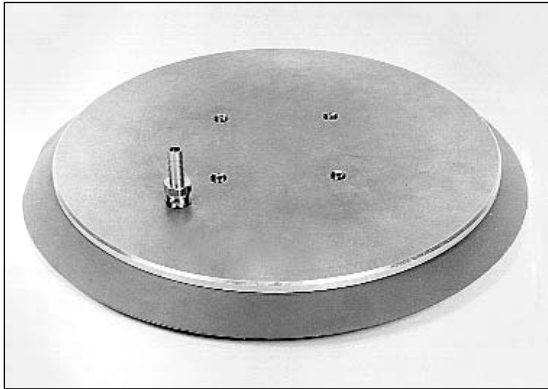




Vacuum Cups and Suction Cups

Round Pads with Stretch-On Seals

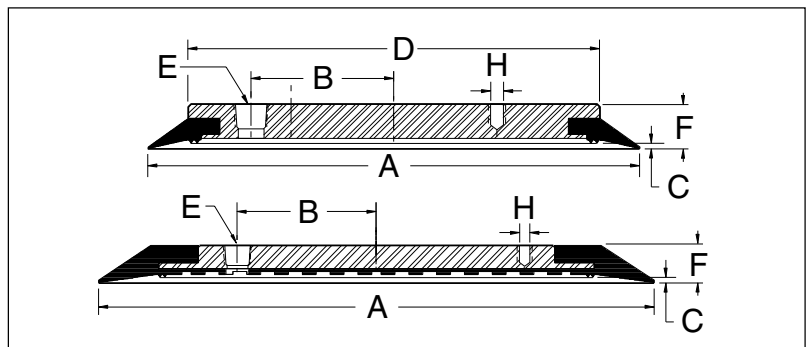
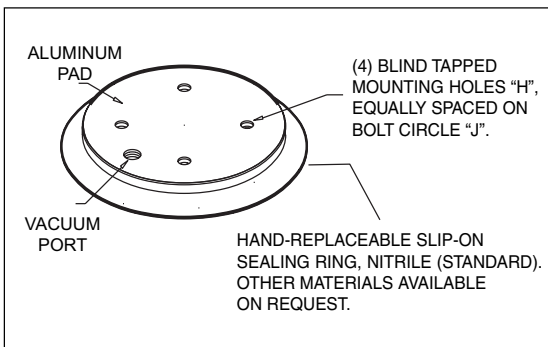
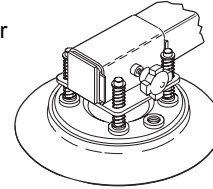


Features:

- Rugged construction ideal for production use.
- Short lip design maximizes load rigidity.
- Hand replaceable seals.

Recommended Usage:

These vacuum pads are designed for flat, rigid materials, such as sheet metal or plate. The pads should only be used for horizontal lifting applications.



Pad Assembly Part Number	Replacement Seal Number	A Cup Dia. in. (mm)	B Rad. in. (mm)	C Flex in. (mm)	D Dia. in. (mm)	E** Port	F Height in. (mm)	H Mounting Holes	J Circle in. (mm)	Rated Load* lbs. (kg)	Weight lb. (kg)
VP108Q-NBR	SR-108	10.75 (273.0)	2.75 (69.9)	0.19 (4.8)	9.16 (228.6)	3/8" NPT	0.97 (24.7)	5/16-18 UNC	4.5 (114)	400 (180)	0.80 (0.36)
VP108Q-SI	SR-108-SI	10.75 (273.0)	2.75 (69.9)	0.19 (4.8)	9.16 (228.6)	-	-	-	-	400 (180)	-
VP120Q-NBR	SR-120	12.38 (314.5)	3.75 (95.3)	0.25 (6.4)	10.69 (271.6)	3/8" NPT	1.00 (25.4)	3/8-18 UNC	8.0 (203)	550 (240)	1.15 (0.52)
VP120Q-SI	SR-120-SI	12.38 (314.5)	3.75 (95.3)	0.25 (6.4)	10.69 (271.6)	-	-	-	-	550 (240)	-
VP140Q-NBR	SR-140	13.75 (349.0)	3.75 (95.3)	0.25 (6.4)	12.56 (319.0)	3/8" NPT	1.06 (26.9)	3/8-18 UNC	8.0 (203)	725 (327)	1.55 (0.70)
VP140Q-SI	SR-140-SI	13.75 (349.0)	3.75 (95.3)	0.25 (6.4)	12.56 (319.0)	-	-	-	-	725 (327)	-
VP150Q-NBR	SR-150	15.00 (381.0)	3.75 (95.3)	0.13 (3.3)	9.63 (244.6)	3/8" NPT	1.00 (25.4)	3/8-18 UNC	8.0 (203)	800 (360)	2.60 (1.18)
VP150Q-SI	SR-150-SI	15.00 (381.0)	3.75 (95.3)	0.13 (3.3)	9.63 (244.6)	-	-	-	-	800 (360)	-

* Rated Load Capacity at 24 in. Hg, when used in a horizontal plane, and based on a safety factor of 2. Divide again by 2 for vertical applications. Actual capacity depends on load surface and condition of vacuum generating system and must be determined by the user.

** Metric Ports available as a special order. These cups are normally sold un-drilled. Special materials available; please consult factory.