



ANVER TT Series Transfer Tubes

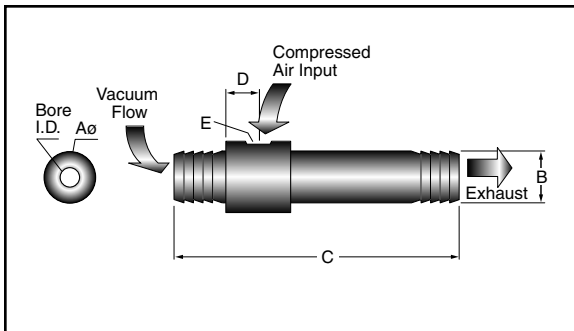
ANVER Transfer Tubes can provide a compact, low cost and effective method for the in-line conveyance of small components, odd shapes, powders or continuously fed material. These transfer tubes are designed to instantaneously provide air movement the moment compressed air is applied. By regulating the input air pressure, the transfer speed and output flow can be infinitely controlled. The instantaneous vacuum flow and high air velocity, along with the transfer tube's straight-through, smooth bore design, allow materials to pass through the tube at high speeds without clogging, providing a maintenance free method of material conveyance.

Features:

- Instant Flow
- Compact Size
- Maintenance Free
- Low Air Consumption
- Explosion Proof
- No O-Rings or Gaskets

Typical Use:

- Pneumatic Conveying
- Hopper Loading
- Bulk Loading
- Dust Removal
- Trim Waste Removal



ANVER Item No.	Bore I.D. in. (mm)	Air Usage* SCFM (l/min.)	Output* SCFM (l/min.)	Max. Vacuum in. Hg (mm Hg)	Velocity ft/sec (m/sec)	A in. (mm)	B in. (mm)	Optional Hose to Fit Barb	C in. (mm)	D in. (mm)	E Port	Optional G to NPT Inlet Port Adapter	Optional Clamp
TT03	0.375 (9.5)	10 (283)	15 (425)	6 (152)	395 (120)	1.25 (31.8)	0.75 (19.1)	HS75	3.75 (95.3)	0.50 (12.7)	1/8" BSP	1/8"G to 1/8" NPT	CLAMP20P
TT05	0.50 (12.7)	24 (680)	30 (850)	6 (152)	360 (110)	1.50 (38.1)	1.00 (25.4)	HS100	5.75 (146.1)	0.63 (15.9)	1/4" BSP	1/4"G to 1/4" NPT	CLAMP25P
TT07	0.75 (19.1)	48 (1359)	60 (1699)	8 (203)	325 (99)	2.00 (50.8)	1.25 (31.8)	HS114	8.00 (203.2)	1.00 (25.4)	1/4" BSP	1/4"G to 1/4" NPT	CLAMP32P
TT10	1.00 (25.4)	48 (1359)	95 (2690)	6 (152)	290 (88)	2.25 (57.2)	1.50 (38.1)	N/A	8.00 (203.2)	1.00 (25.4)	1/4" BSP	1/4"G to 1/4" NPT	CLAMP40P

* Air usage and Output are based on an input pressure of 80 PSIG.

