

Vacuum Filters and Mufflers



Disposable Vacuum Filters

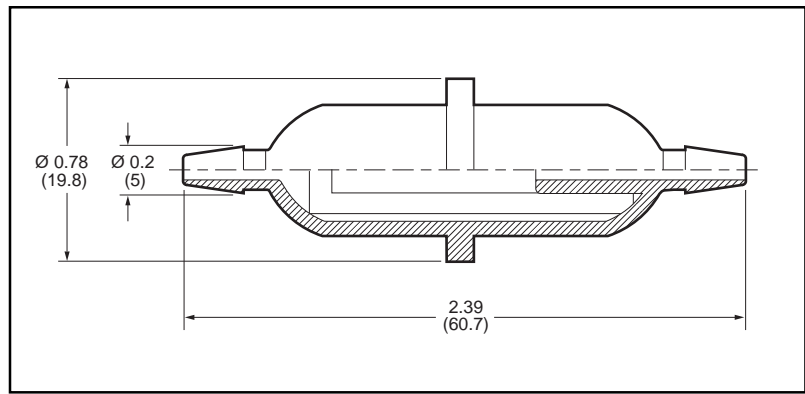
In-Line Barbed Vacuum Filters

Miniature Quick Change Replacement In-Line Barbed Vacuum Filters. Small, Lightweight and Available with either 10 Micron or 25 Micron Filter Elements.

Simply throw them away when used and replace with a new filter. These In-Line Barbed Vacuum Filters are inexpensive and small enough to be a disposable item.

- Maximum operating pressure of 0.45 MPa (65 psi)
- Weight is only 4 grams (0.14 ounce)

Inner material: Porous polyethylene
Outer material: Solid polyethylene



ANVER Item No.

Description

X-7438

Filter, 10 Micron, for 1/4" (6.35 mm) Tubing

X-7439

Filter, 25 Micron, for 1/4" (6.35 mm) Tubing