

# Vacuum Filters and Vacuum Mufflers



## Metal Filters with Snap-On Covers



### FLT-3 Plastic Filter Assemblies

ANVER'S FLT-3 Series Plastic Filters are specifically designed for use with high air flow vacuum lifting systems. By comparing the vacuum level on the filter and the vacuum level on the vacuum attachment head, the operator can monitor the filter status at a glance. A reduction differential in vacuum level provides an indication of when the filter element needs to be cleaned or replaced. The FLT-3 is a lightweight high-flow filter, with replaceable filter elements, and is available with either 1 1/2" or 2" slip-in hose ports.

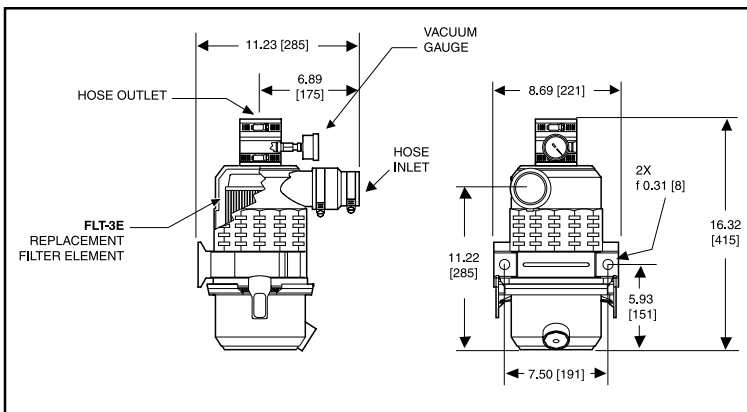
### FLT-4 Metal Filter Assemblies

ANVER'S FLT-4 Series vacuum filters feature durable steel construction and industry-standard filter elements. The filter element protects the vacuum pump under normal operating conditions. These filters are ideally suited for most of today's material handling equipment applications.

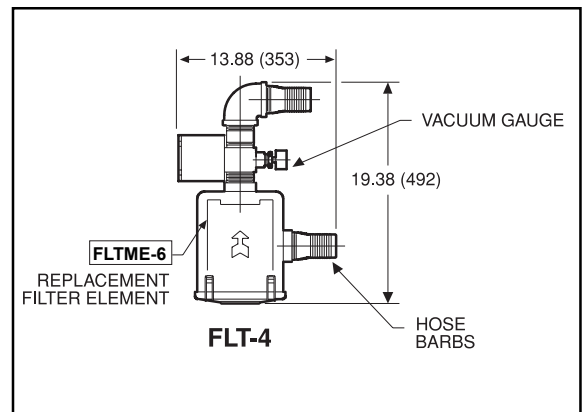
#### Features:

- High carbon steel construction
- Snap-on fasteners for easy element inspection and replacement
- Industry-standard sizes make these filters interchangeable with other brands
- Includes a 10 micron standard filter element
- Perfect for OEM use
- Factory-inspected seals for 100% airtight systems
- Includes an ANVER Vacuum Gauge for monitoring the filter status

ANVER Item No.	Description
FLT-3-1.5A	Filter Assembly, FLT-3 with Gauge and Adapters for 1.5" (38.1 mm) Hose
FLT-3-2.0A	Filter Assembly, FLT-3 with Gauge and Adapters for 2" (50.8 mm) Hose
FLT-3E	Filter Element, for FLT-3 Series Filters, 10 Micron
FLT-4-1.5A	Filter Assembly, FLT-4 with Gauge, Bracket, and Adapters for 1.5" (38.1 mm) Hose
FLT-4-2.0A	Filter Assembly, FLT-4 with Gauge, Bracket, and Adapters for 2" (50.8 mm) Hose
FLT-4-1.5A-BV	Filter Assembly, FLT-4 with Bleeder Valve and Hardware for 1.5" (38.1 mm) Hose
FLT-4-2.0A-BV	Filter Assembly, FLT-4 with Bleeder Valve and Hardware for 2" (50.8 mm) Hose
FLT-4-1.5A-RV	Filter Assembly, FLT-4 with Vacuum Relief Valve and Hardware for 1.5" (38.1 mm) Hose
FLT-4-2.0A-RV	Filter Assembly, FLT-4 with Vacuum Relief Valve and Hardware for 2" (50.8 mm) Hose



FLT-3 Series Filter Assemblies



FLT-4 Series Filter Assemblies

► This spec sheet was adapted for print from our website. Additional information and photos are available at [www.anver.com](http://www.anver.com). 6012401