

## Precision Vacuum Gauges



### Unique Combination Panel or Back Mount Style with a Modern Hi-Tech Look

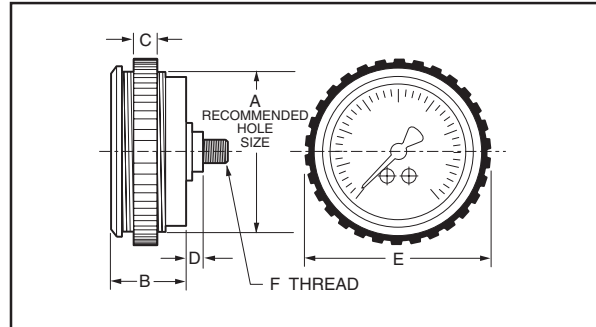
ANVER Vacuum and Pressure Gauges are some of the finest available for this price on the market today. They are precise, reliable and have a handsome chrome bezel. Their modern hi-tech look adds an air of quality to any machinery that features them. They perform well, look great, and cost no more than a multitude of lesser quality vacuum gauges on the market.

These vacuum and pressure gauges are excellent for any vacuum application in which vacuum and/or pressure levels need to be accurately monitored.

These gauges feature two mounting options within a single gauge style, offering a solution for all your application requirements: They can be center back or panel mounted, or can be mounted below the bezel with an extension. (350 models Series feature single mounting options.)

#### Features:

- Accuracy 2.5% of full scale
- Black ABS plastic case with Chromed Bezel
- Acrylic window with Dust-Proof Seal
- Coiled Safety Bourdon Tube
- White dial with black pointer
- Dual scale 0 to -30 in. Hg, 0 to -100 kPa  
(For Pressure Gauge: 0 to 100 psi, 0 to 700 kPa)
- Proven quality: Used on all ANVER Vacuum Equipment



ANVER Item No.	Competitor's Gauge No.	Description	A in. (mm)	B in. (mm)	C in. (mm)	D in. (mm)	E in. (mm)	F Thread	Weight lb. (Kg)	NPT to G Adapter
VG150-18PBM	15.110	Vacuum Gauge, 1-1/2" Dial x 1/8 NPT thread, combination center or panel back mount	1.58 (40)	1.26 (32)	0.39 (10)	0.27 (7)	1.96 (50)	1/8" NPT Male	0.13 (0.06)	G1/8" to 1/8" NPT
VG200-14PBM	20.110	Vacuum Gauge, 2" Dial x 1/4 NPT thread, combination center or panel back mount	2.00 (51)	1.26 (32)	0.39 (10)	0.27 (7)	2.36 (60)	1/4" NPT Male	0.16 (0.07)	G1/4" to 1/4" NPT
VG250-14PBM	25.310	Vacuum Gauge, 2-1/2" Dial x 1/4 NPT thread, combination center or panel back mount	2.50 (64)	1.26 (32)	0.39 (10)	0.27 (7)	2.83 (72)	1/4" NPT Male	0.18 (0.08)	G1/4" to 1/4" NPT
PG200-14PBM	N/A	Pressure Gauge, 2" Dial x 1/4 NPT thread, combination center or panel back mount	2.00 (51)	1.26 (32)	0.39 (10)	0.27 (7)	2.36 (60)	1/4" NPT Male	0.16 (0.07)	G1/4" to 1/4" NPT
VG350-14PBM	N/A	Vacuum Gauge, 3-5/8" Dial x 1/4 NPT thread, panel back mount	3.63 (92)	1.26 (32)	N/A	0.23 (6)	3.83 (97)	1/4" NPT Male	0.40 (0.18)	G1/4" to 1/4" NPT
VG350-14CBM	N/A	Vacuum Gauge, 3-5/8" Dial x 1/4 NPT thread, center back mount	3.63 (92)	1.28 (32.5)	N/A	0.31 (8)	3.96 (100)	1/4" NPT Male	0.54 (0.25)	G1/4" to 1/4" NPT

► This spec sheet was adapted for print from our website. Additional information and photos are available at [www.anver.com](http://www.anver.com). 0101501