

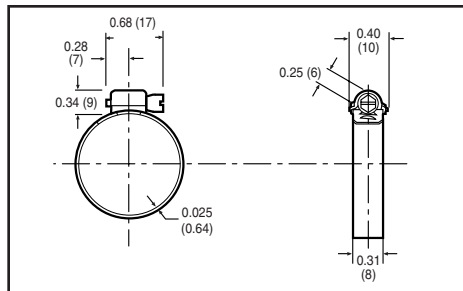
### Reusable Stainless Steel Clamps with Worm Drive Mechanism

#### Features:

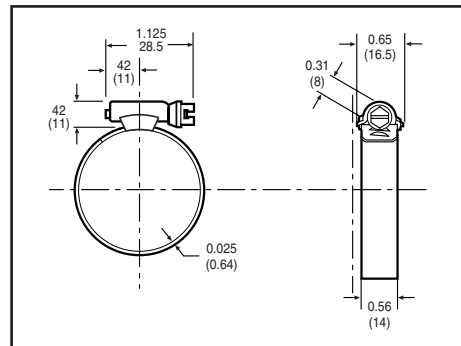
- Lightweight compact design
- Stainless Steel construction
- Reusable! Allows for attach/re-attach
- Installation requires a screwdriver or hex head wrench
- High sealing pressure with only 10-15 in/lb of torque

#### Application:

These hose clamps have been designed for vacuum or medium pressure line connections and should be used in conjunction with ANVER vacuum hose and hose barbs.



Narrow Body Styles (N)



Standard Body Styles (S)

ANVER Item No.	Fits Hose I.D. in. (mm)	Body Style	Vacuum Hose	Fittings for Hose
CLP-03-W	1/4 (6.4)	N	1/4" I.D. Hose (HS Series)	1/4" Barb x 1/8" NPT 1/4" Barb x 1/4" NPT 1/4" Barb x 3/8" NPT
CLP-04-W	3/8 (9.5)	N	3/8" I.D. Hose (HS Series)	3/8" Barb x 1/8" NPT 3/8" Barb x 1/4" NPT 3/8" Barb x 3/8" NPT 3/8" Barb x 1/2" NPT
CLP-05-W	1/2 (12.7)	N	1/2" I.D. Hose (HS Series)	1/2" Barb x 1/4" NPT 1/2" Barb x 3/8" NPT 1/2" Barb x 1/2" NPT 1/2" Barb x 3/4" NPT
CLP-08-W	1/2 (12.7)	S	1/2" I.D. Hose (HS Series)	1/2" Barb x 1/4" NPT 1/2" Barb x 3/8" NPT 1/2" Barb x 1/2" NPT 1/2" Barb x 3/4" NPT
CLP-10-W	3/4 (12.7)	S	3/4" I.D. Hose (HS Series)	3/4" Barb x 1/2" NPT 3/4" Barb x 3/4" NPT
CLP-12-W	3/4 - 1 (19.1 - 25.4)	S	1" I.D. Hose (FT Series)	1" Barb x 3/4" NPT 1" Barb x 1" NPT
CLP-16-W	1 - 1 1/4 (25.4 - 31.8)	S	1" I.D. Hose (HS Series) 1" I.D. Hose (HS Series) 1 1/4" I.D. Hose (FT Series)	1" Barb x 3/4" NPT 1" Barb x 1" NPT 1 1/4" Barb x 1 1/4" NPT
CLP-20-W	1 1/4 - 1 1/2 (31.8 - 38.1)	N	1 1/4" I.D. Hose (HS Series) 1 1/2" I.D. Hose (FT Series)	1 1/4" Barb x 1 1/4" NPT 1 1/2" Barb x 1 1/2" NPT
CLP-32-W	1-9/16 - 2 (39.7 - 50.8)	S	2" I.D. Hose (HS Series) 2" I.D. Hose (HS Series) 2" I.D. Hose (FT Series) 2" I.D. Hose (FT Series)	2" Barb x 1 1/2" NPT 2" Barb x 2" NPT 2" Barb x 1 1/2" NPT 2" Barb x 2" NPT