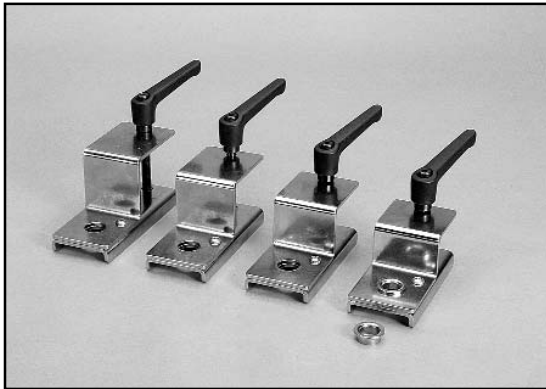


Vacuum Cup Suspension Assemblies

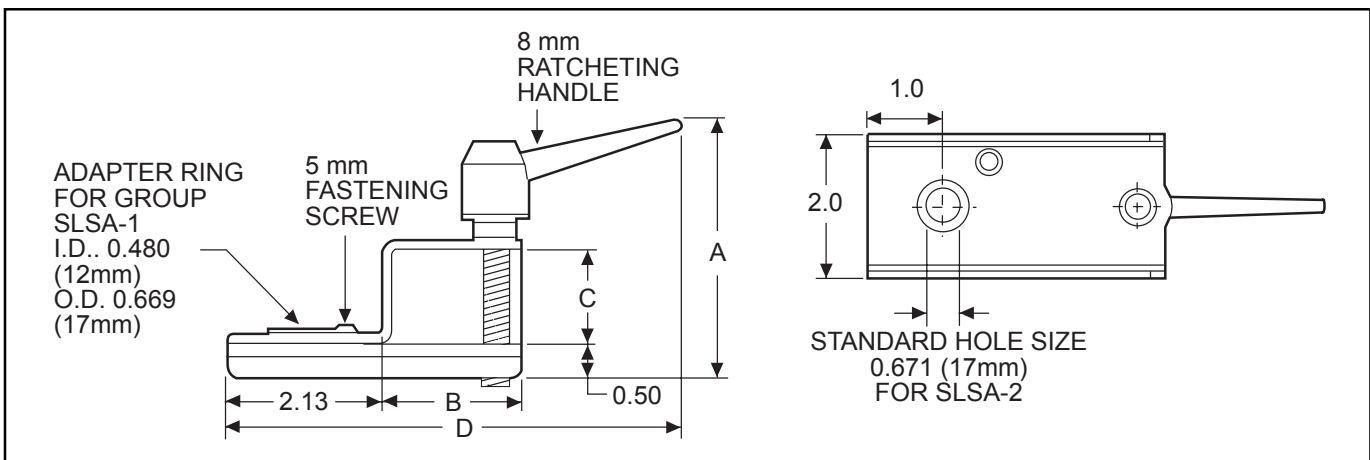


Adjustable Brackets for Various Suspension Rods



Adjustable brackets for various suspension rods are available in a variety of sizes to fit most crossarms.

Fits Steel Tubing Sizes 1 1/4", 1 1/2", 1 3/4" and 2".



ANVER Item No.	Description	A in. (mm)	B in. (mm)	C in. (mm)	D in. (mm)	Fits Tubing Size in. (mm)
SBA-125	Slide Bracket Assembly, for 1-1/4" Beams	3.61 (91.7)	1.92 (48.8)	1.27 (32.3)	6.23 (158.2)	1.25 x 1.25 (31.75 x 31.75)
SBA-150	Slide Bracket Assembly, for 1-1/2" Beams	3.86 (98.0)	2.17 (55.1)	1.52 (38.6)	6.43 (163.3)	1.50 x 1.50 (38.1 x 38.1)
SBA-175	Slide Bracket Assembly, for 1-3/4" Beams	4.11 (104.4)	2.42 (61.5)	1.77 (45.0)	6.67 (169.4)	1.75 x 1.75 (44.5 x 44.5)
SBA-200	Slide Bracket Assembly, for 2" Beams	4.36 (110.7)	2.67 (67.8)	2.02 (51.3)	6.92 (175.8)	2.00 x 2.00 (50.8 x 50.8)



Adapter No.: 212-00-679
(Guide, Spacer for SLSA-1 Series)

► This spec sheet was adapted for print from our website. Additional information and photos are available at www.anver.com. 2031301