

Vacuum Cup Suspension Assemblies



Vacuum Pad Mounting Accessories



Adjustable Pad Slides

Adjustable pad slides are available in a variety of sizes to fit most crossarms. These sturdy aluminum slides feature a heavy plastic locking knob and dual clamping areas to keep pad attachments firmly locked in place. Stainless Steel brake pads are included to minimize marring of the crossarms while still allowing for easy adjustment.

Replacement Parts

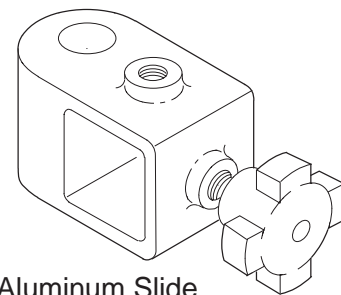
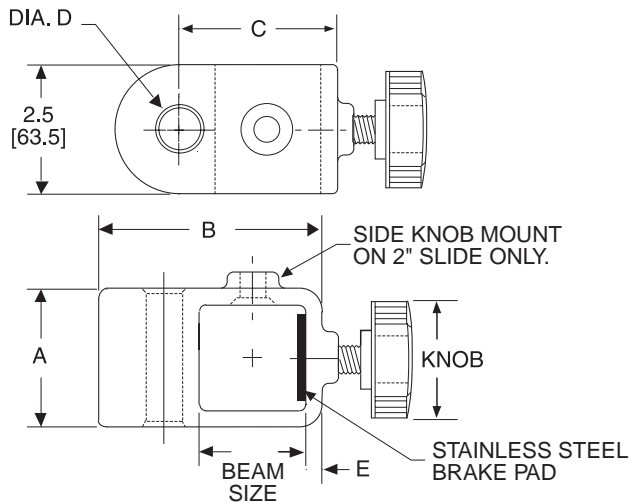
Replacement parts for all vacuum cup and slide assemblies are available from stock. ANVER stocks a large number of suspension studs, springs, ball and stud assemblies, and other replacement components for our suspension assemblies. However, it is usually more economical and convenient to replace the entire assembly. Please consult factory for best option.

Available from stock:

- Ball Swivel Assemblies
- Replacement Springs
- Replacement Cups and Sealing Rings
- Hose and Hose Barbs
- Suspension Rods

Beams and Crossarms

Load beams and crossarms are also available in many sizes and styles to best suit your application. Crossarms are made from heavy duty carbon steel, then nickel plated for long life. Mounting holes allow attachment to either another main beam or directly to an existing system.



Aluminum Slide
with Stainless Steel
Brake Pad and Assembly