

Vacuum Cup Suspension Assemblies



Suspension Rod to Cup Connectors

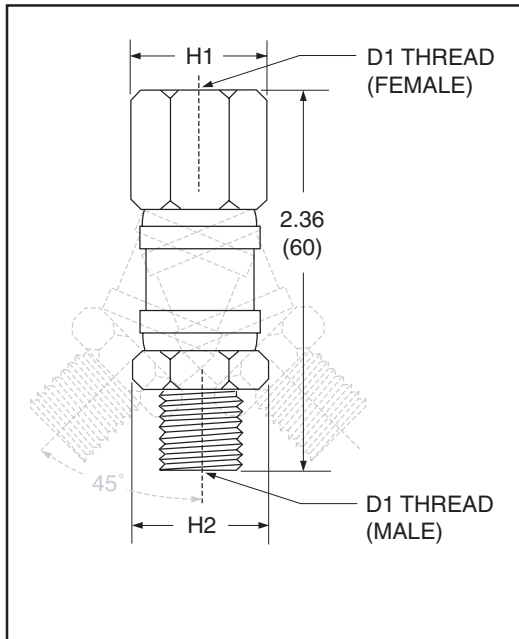


Ball Swivel Connectors

Various small ANVER suction cups can be connected to their suspensions with vacuum-tight ball swivels. These are available with 1/4" and 3/8" NPT threads.

- Design provides 360° rotation with up to 45° swivel
- Precision-plated steel construction
- Two rotating joints
- Large degree of articulation
- Rated for full vacuum

ANVER Item No.	D1 Thread	H1 Hex Size in. (mm)	H2 Hex Size in. (mm)	Overall Length in. (mm)
SW14F-14M	1/4" NPT	0.75 (19)	0.75 (19)	2.36 (60)
SW38F-38M	3/8" NPT	0.83 (21)	0.75 (19)	2.36 (60)



► This spec sheet was adapted for print from our website. Additional information and photos are available at www.anver.com. 40030701