

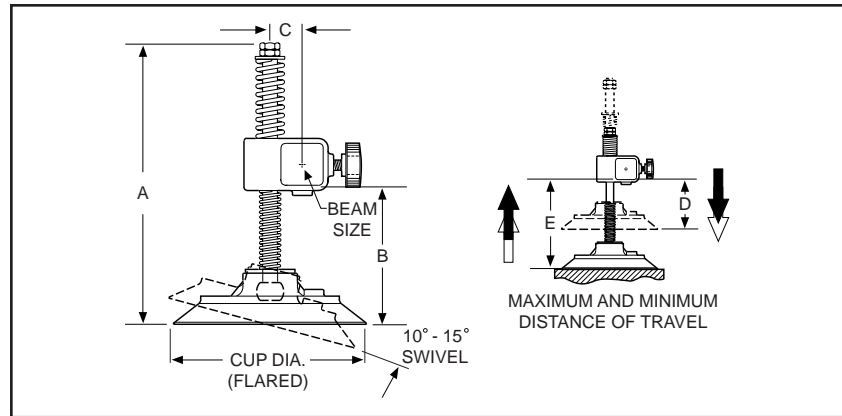
# Vacuum Cup Suspension Assemblies



## Ball Swivel Mounts with Side Vacuum Port



ANVER Ball Swivel Spring Suspension assemblies are the most versatile suspensions available. The ball and socket design provides up to 15° pivot in any direction. This unique feature enables the cups to compensate for wavy or slightly inclined loads. Designed for use with large size vacuum cups in the VC Series and VP Series.



### Features:

- Adjustable Slide Mounts
- For use with Medium, Side Port Vacuum Cups (VC, VP Series)
- Designed for Ball Swivel Cups

Susp. Assembly Number	Cup Dia. In. (mm)	A in. (mm)	B in. (mm)	C in. (mm)	D in. (mm)	E in. (mm)	Beam Size in. (mm)	Weight lb. (kg)	Capacity* lb. (kg)	Vacuum Pad Assembly
PS60S-NBR175	6.13 (156)	10.84 (275)	5.06 (129)	1.59 (40)	2.79 (71)	6.07 (154)	1.75 (44)	3.75 (1.7)	110 (50)	VP60-4
PS60S-NBR200	6.13 (156)	10.84 (275)	5.12 (130)	1.71 (43)	2.85 (72)	5.81 (148)	2.00 (51)	3.75 (1.7)	110 (50)	VP60-4
PS70S-NBR175	7.13 (181)	10.83 (275)	5.05 (128)	1.59 (40)	2.78 (71)	6.17 (157)	1.75 (44)	4.00 (1.8)	160 (73)	VP70-4
PS70S-NBR200	7.13 (181)	10.83 (275)	5.11 (130)	1.71 (43)	2.84 (72)	5.92 (150)	2.00 (51)	4.00 (1.8)	160 (73)	VP70-4
PS80S-NBR175	8.25 (210)	10.84 (275)	5.06 (129)	1.59 (40)	3.16 (80)	5.88 (149)	1.75 (44)	4.25 (1.9)	200 (91)	VP80-4
PS80S-NBR200	8.25 (210)	10.84 (275)	5.12 (130)	1.71 (43)	3.22 (82)	5.62 (143)	2.00 (51)	4.25 (1.9)	200 (91)	VP80-4
PS90S-NBR175	9.25 (235)	13.87 (352)	6.50 (165)	1.59 (40)	4.13 (105)	10.40 (264)	1.75 (44)	7.25 (3.3)	270 (123)	VP90-4
PS90S-NBR200	9.25 (235)	13.87 (352)	6.56 (167)	1.71 (43)	4.19 (106)	10.14 (258)	2.00 (51)	7.25 (3.3)	270 (123)	VP90-4
PS95S-NBR175	10.00 (254)	14.82 (376)	6.80 (173)	1.59 (40)	4.36 (111)	8.77 (223)	1.75 (44)	7.50 (3.4)	250 (113)	VC95R-4
PS95S-NBR200	10.00 (254)	14.82 (376)	6.86 (174)	1.71 (43)	4.42 (112)	8.52 (216)	2.00 (51)	7.50 (3.4)	250 (113)	VC95R-4
PS119S-NBR200	12.25 (311)	14.92 (379)	6.97 (177)	1.71 (43)	4.66 (118)	7.95 (202)	2.00 (51)	10.00 (4.6)	500 (228)	VC119-4
PS128S-NBR200	13.25 (337)	14.09 (358)	6.90 (175)	1.71 (43)	4.63 (118)	7.89 (200)	2.00 (51)	15.3 (5.9)	600 (272)	VP128S

\* The cup capacities shown above are based on 24"Hg at sea level with a safety factor of two (2) in the horizontal (flat), and four (4) in the vertical (upright). Vertical Load Capacity is half of the listed Horizontal Load Capacities above. Rated Load Capacities are estimated; actual capacity will vary based on the load surface and the level of vacuum.