

Vacuum Cup Suspension Assemblies



Load Leveling Extensions for Varying Heights

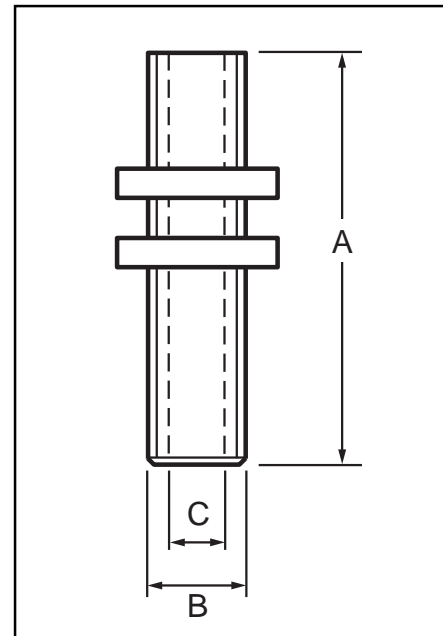
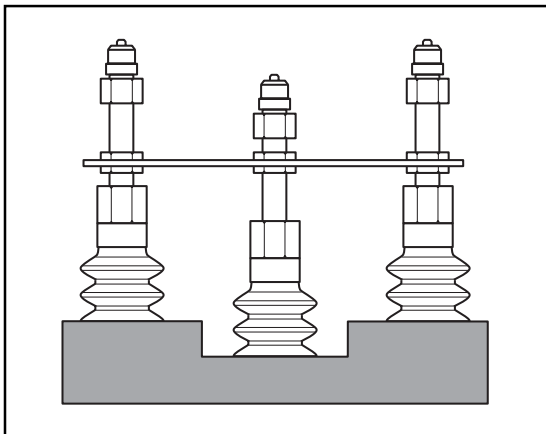


VX Series

Vacuum Suction Cup Load Leveling Extensions are unique items that are used in a variety of applications. These extensions allow vacuum cups to grip at various heights from the same installation plate or manifold. Each extension can be easily adjusted to the desired height. Suction cup extensions are especially useful for bellows-style suction cups, and height adjustment is made easier by the deflection of the cup.

Note: These extensions are not recommended for use with flat vacuum suction cups due to the small amount of deflection flat cups provide. See our selection of SLSA Series spring loaded suspension assemblies for flat cup applications.

ANVER Item No.	Description	A Length in (mm)	B G Thread	C in (mm)
VX18-100-25	Extension, 1/8"G X 1" (25 mm)	1.0 (25)	1/8" BSP	0.26 (6.5)
VX18-150-38	Extension, 1/8"G X 1.5" (38 mm)	1.5 (38)	1/8" BSP	0.26 (6.5)
VX18-200-51	Extension, 1/8"G X 2" (51 mm)	2.0 (51)	1/8" BSP	0.26 (6.5)
VX14-100-25	Extension, 1/4"G X 1" (25 mm)	1.0 (25)	1/4" BSP	0.35 (9.0)
VX14-200-51	Extension, 1/4"G X 2" (51 mm)	2.0 (51)	1/4" BSP	0.35 (9.0)
VX14-300-76	Extension, 1/4"G X 3" (76 mm)	3.0 (76)	1/4" BSP	0.35 (9.0)



► This spec sheet was adapted for print from our website. Additional information and photos are available at www.anver.com. 9061201