

Vacuum Cup Suspension Assemblies



SLSA-2 Series (G 1/8" Thread)



ANVER Vacuum Suction Cups can be mounted to most vacuum systems using Spring Loaded Suspension Assemblies. These are high quality, well finished and designed for high speed automation applications. Adjustable bulkhead fittings mount to almost any lifting frame while a variety of tube fittings are available to connect to the vacuum generating system. These unique mounting systems act as extensions while providing support while handling a load. Some of the advantages of Suspension Assemblies include:

- Suspensions reduce machine indexing when picking up material from a stack.
- They compensate for variations in object height and offer a soft touch attach.
- Shock and noise to an object and machine is minimized.
- Cup pressure is consistent on each pick up which increases the cups life.
- Suspensions can provide an easy way to interface the vacuum cup and vacuum lines to the machine tooling.

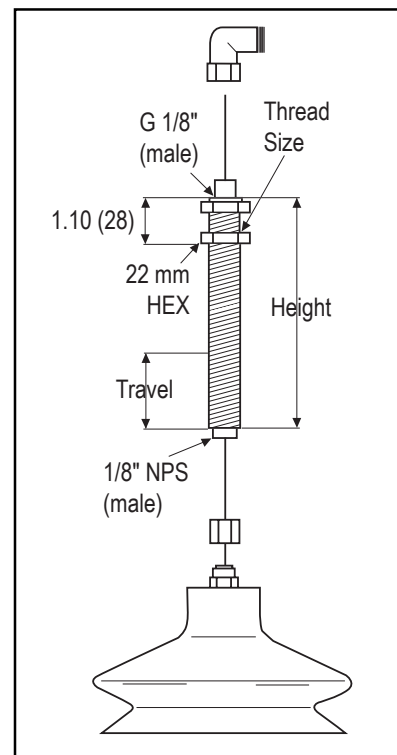
The SLSA-2 Series connects to the vacuum system via 1/8" NPT Male thread. For M5 Threads, see our SLSA-1 Series.

Materials:

Components	Rotating	Non-Rotating
Suspension Tube:	Nickel-Plated Steel	Nickel-Plated Steel
Springs:	Stainless Steel	Stainless Steel
Bulkhead Thread:	Nickel-Plated Brass	Stainless Steel
Panel Nuts:	Nickel-Plated Brass	Stainless Steel

ANVER can adapt these vacuum cup suspensions to your particular needs with tube fittings, mini vacuum generators, sensing valves and custom adapters. Please contact our technical sales department for assistance.

ANVER Item No.	Fitting Group	Travel in. (mm)	Height in. (mm)	Required Panel Hole Dia. in. (mm)	Max. Panel Thickness in. (mm)
SLSA-210NR	2 & 3	0.39 (10)	1.85 (47)	0.63 (16)	0.51 (13)
A-3350069	2 & 3	0.79 (20)	3.15 (80)	0.63 (16)	1.06 (27)
SLSA-230NR	2 & 3	1.18 (30)	3.45 (88)	0.63 (16)	0.51 (13)
SLSA-250NR	2 & 3	1.97 (50)	4.99 (127)	0.63 (16)	0.51 (13)
SLSA-270NR	2 & 3	2.76 (70)	6.61 (168)	0.63 (16)	0.51 (13)



► This spec sheet was adapted for print from our website. Additional information and photos are available at www.anver.com. 4070301