



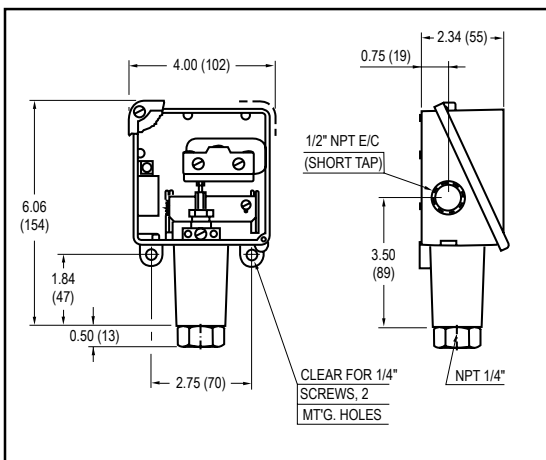
Electric Vacuum/Pressure Switch

ANVER's A-3116041 Vacuum/Pressure differential switches are activated when a bellows, diaphragm or piston sensor responds to a pressure change. This response, at a pre-determined set point, actuates a single snap acting switch, converting the pressure signal into an electrical signal. Control set point may be varied by turning the internal adjustment hex. (See adjustment)

Adjustment of A-3116041:

Remove Vacuum/Pressure switch cover. Adjust set point by turning 5/8" hex adjustment screw clockwise (in) to raise set point, or counter-clockwise (out) to lower set point. Tension on adjustment screw can be increased by tightening lock into it.

Note: UL Listed and CSA Approved



ANVER Item No.	Direct Replacement for Competitor's Switch No.
A-3116041	EVS100 (31.16.041)

Specifications

Vacuum Range	0 to 30 inHg
Output	SPDT Switch
Enclosure	NEMA 4
Pressure Connection	1/4" Female NPT, Nickel Plated
Maximum Pressure	30 psi
Current	15 Amps
Voltage	125/250/480 Vac
Differential	Fixed (1.0 to 2.0 in. Hg)