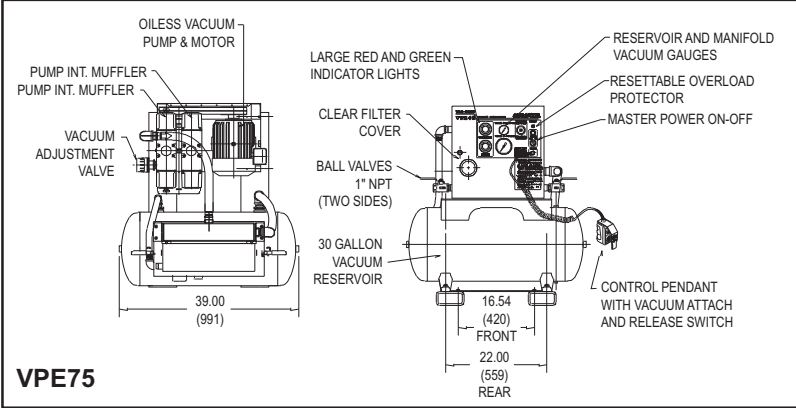
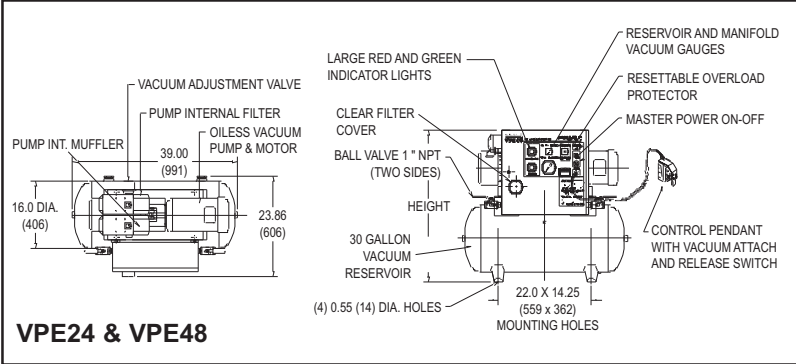




VPE Series Self-Contained Vacuum Stations

- Features:**
- Complete Vacuum Station with quiet pump, reservoir and all necessary controls
 - Dry, oil-free pump avoids contamination
 - Controls include:
 - Power on-off switch
 - Adjustable vacuum switch to control vacuum level
 - Vacuum gauges, reservoir and manifolds
 - Adjustable red/green indicator lights and adjustable low vacuum warning horn
 - Pendant switch attach/release

Available Voltage	VPE24	VPE48	VPE75
115-1-60	X		
230-1-60	X		
230-3-60	X	X	X
460-3-60	X	X	X
575-3-60	X	X	X
110-1-50	X		
220-1-50	X		
220-3-50	X	X	X
380-3-50	X	X	X
440-3-50	X	X	X



ANVER Item No.	Vacuum Flow at 60 Hz SCFM (l/min.)	Vacuum Flow at 50 Hz SCFM (l/min.)	Max. Vacuum in. Hg (mm Hg)	Motor HP (kW)	H Height in. (mm)	Weight lb. (Kg)
VPE24	24 (680)	20 (566)	26.5 (67.3)	1.5 (1.1)	35.38 (899)	295 (134)
VPE48	50 (1416)	41 (1161)	25.0 (63.5)	3 (2.2)	35.38 (899)	425 (193)
VPE75	78 (2209)	64 (1812)	25.0 (63.5)	5 (3.7)	43.13 (1100)	655 (297)