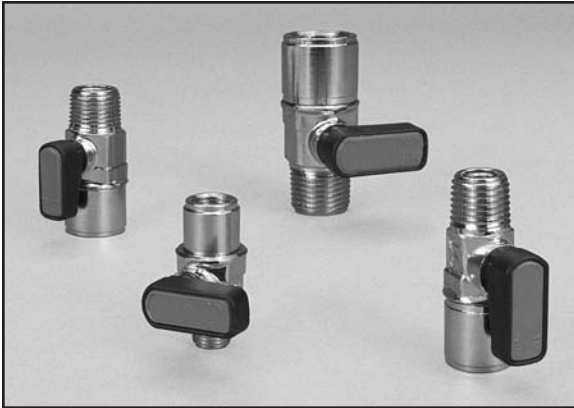


Miniature Ball Vacuum Valves



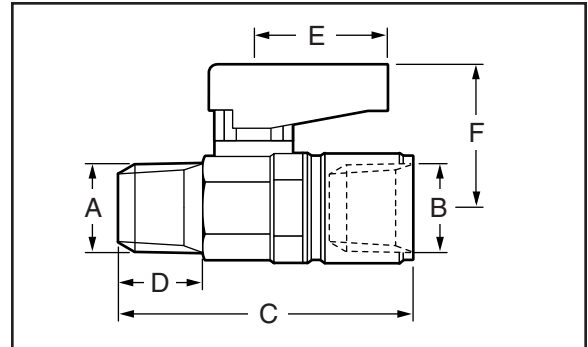
Miniature Ball Valves

Features:

- ANVER Miniature Ball Valves have a Chrome Plated Brass Body for corrosion resistance
- A Captured Stem provides for airtight operation
- The Teflon Ball Seat accommodates a variety of fluids
- Compact Size
- Economically Priced

Applications:

- Manual 2-Way Function provides basic ON/OFF control of pressure or vacuum.



Specifications:

Max Pressure: 250 psi (17 bar)

Max Vacuum: 29" Hg (980 mbar)

Temperature: 0 to 160°F (-18° to +70°C)

ANVER Item No.	A Male Thread	B Female Thread	Orifice in. (mm)	C in. (mm)	D in. (mm)	E in. (mm)	F in. (mm)
BVC-18-MF	1/8" NPT	1/8" NPT	0.217 (5.5)	1.45 (37.0)	0.354 (9.0)	0.75 (19.0)	0.83 (21.0)
BVC-14-MF	1/4" NPT	1/4" NPT	0.217 (5.5)	1.81 (46.0)	0.551 (14.0)	0.75 (19.0)	0.83 (21.0)
BVC-38-MF	3/8" NPT	3/8" NPT	0.315 (8.0)	1.81 (46.0)	0.709 (18.0)	0.75 (19.0)	0.83 (21.0)
BVC-12-MF	1/2" NPT	1/2" NPT	0.394 (10.0)	2.36 (60.0)	0.870 (22.0)	1.02 (26.0)	1.20 (30.5)