

# Ergonomic Vacuum Tube Lifters

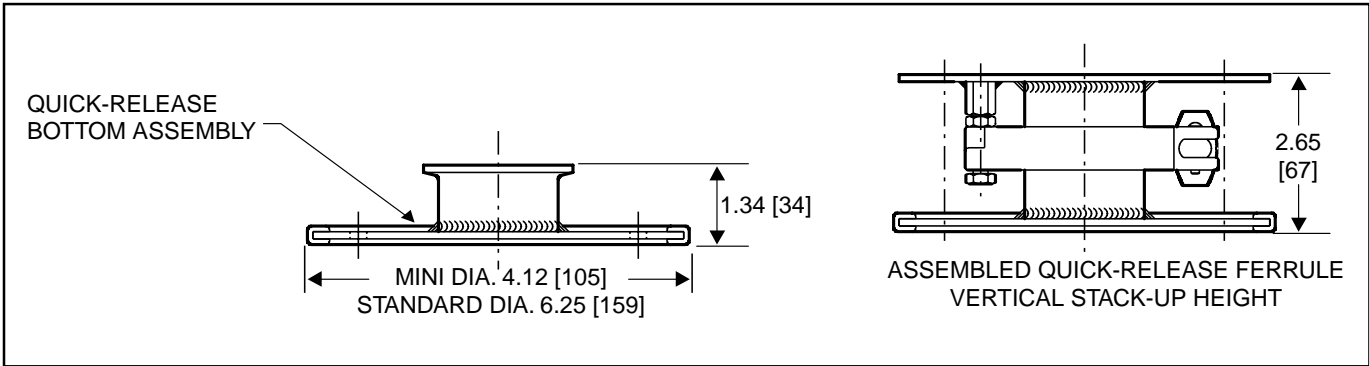
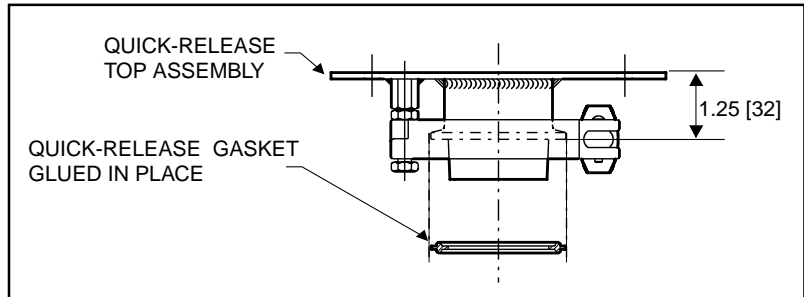


## Vacuum Pad Attachments



### Quick Disconnect for Pad Attachments

ANVER Vacuum Tube Lifter Quick Disconnects, made of 304 stainless steel, allow the operator to quickly change vacuum tube lifter pad attachments for varying load handling requirements. Their use minimizes downtime, maximizing productivity. ANVER's design allows you to fully rotate the pad and lock it in any position. Remember, the complete quick disconnect assembly adds 2.65" (67 mm) to the system's overall headroom requirements.



### Quick Disconnects for Vacuum Tube Lifter Mini VT Models

ANVER Item No.	Description:	Attaches To:	For Use with ANVER Vacuum Tube Lifter Models:
VT-QRB-M	Quick Release Bottom	Pad Attachment	VT100, VT120, VT140
VT-QRT-M	Quick Release Top	Tube Lift Head	VT100, VT120, VT140

### Quick Disconnects for Vacuum Tube Lifter Standard VT Models

ANVER Item No.	Description:	Attaches To:	For Use with ANVER Vacuum Tube Lifter Models:
VT-QRB-S	Quick Release Bottom	Pad Attachment	VT160, VT180, VT200
VT-QRT-S	Quick Release Top	Tube Lift Head	VT160, VT180, VT200

► This spec sheet was adapted for print from our website. Additional information and photos are available at [www.anver.com](http://www.anver.com). 6002201