



Features:

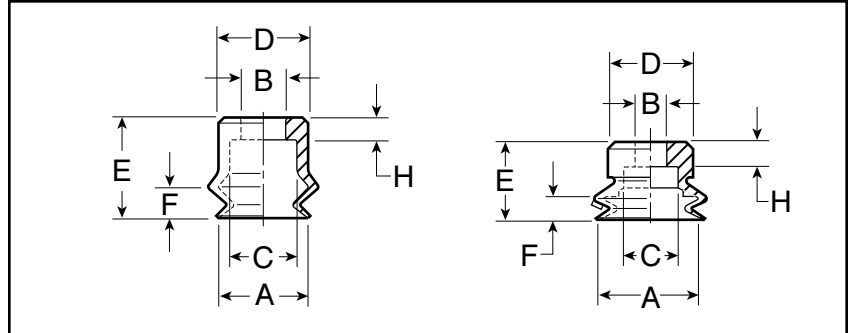
- Short Bellows Design for Fast Response
- More Lip Seal Handles Most Corrugated, Textured Applications
- Soft Sealing Lip
- Diameters from 0.08" to 3.15" (2mm to 80mm)

Applications:

Handling both slightly textured and smooth surfaces. Offers a faster response time than traditional bellows cups because of the shorter stroke and the extra soft sealing lip.

Material Codes:

NBR: Nitrile SIT: Silicone
PUR: Urethane FPM: Viton®

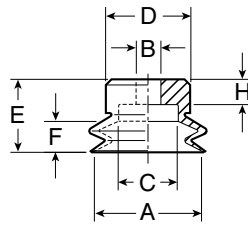


ANVER Item No.	øA in. (mm)	øB in. (mm)	øC in. (mm)	øD in. (mm)	E in. (mm)	F in. (mm)	H in. (mm)
C-BS1.5-6-NBR PJK-6-NBR	0.24 (6)	0.16 (4)	0.22 (5.5)	0.30 (7.5)	0.35 (9)	0.12 (3)	0.08 (2)
C-BS1.5-6-SIT PJK-6-SIT	0.24 (6)	0.16 (4)	0.22 (5.5)	0.30 (7.5)	0.35 (9)	0.12 (3)	0.08 (2)
C-BS1.5-6-PUR PJK-6-PUR	0.24 (6)	0.16 (4)	0.22 (5.5)	0.30 (7.5)	0.35 (9)	0.12 (3)	0.08 (2)
C-BS1.5-8-NBR PJK-8-NBR	0.31 (8)	0.16 (4)	0.24 (6)	0.31 (8)	0.35 (9)	0.16 (4)	0.08 (2)
C-BS1.5-8-SIT PJK-8-SIT	0.31 (8)	0.16 (4)	0.24 (6)	0.31 (8)	0.35 (9)	0.16 (4)	0.08 (2)
C-BS1.5-8-PUR PJK-8-PUR	0.31 (8)	0.16 (4)	0.24 (6)	0.31 (8)	0.35 (9)	0.16 (4)	0.08 (2)
C-BS1.5-10-NBR PJK-10-NBR	0.39 (10)	0.18 (4.5)	0.31 (8.0)	0.43 (11)	0.37 (9.4)	0.079 (2.0)	0.14 (3.5)
C-BS1.5-10-SIT PJK-10-SIT	0.39 (10)	0.18 (4.5)	0.31 (8.0)	0.43 (11)	0.37 (9.4)	0.079 (2.0)	0.14 (3.5)
C-BS1.5-10-PUR PJK-10-PUR	0.39 (10)	0.18 (4.5)	0.31 (8.0)	0.43 (11)	0.37 (9.4)	0.079 (2.0)	0.14 (3.5)
C-BS1.5-15-NBR PJK-15-NBR	0.57 (14.4)	0.18 (4.5)	0.31 (8.0)	0.47 (12)	0.41 (10.4)	0.11 (2.9)	0.14 (3.5)
C-BS1.5-15-SIT PJK-15-SIT	0.57 (14.4)	0.18 (4.5)	0.31 (8.0)	0.47 (12)	0.41 (10.4)	0.11 (2.9)	0.14 (3.5)
C-BS1.5-15-PUR PJK-15-PUR	0.57 (14.4)	0.18 (4.5)	0.31 (8.0)	0.47 (12)	0.41 (10.4)	0.11 (2.9)	0.14 (3.5)

Vacuum Cups and Suction Cups

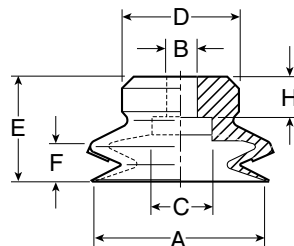


C-BS1.5 Short Bellows Vacuum Cups



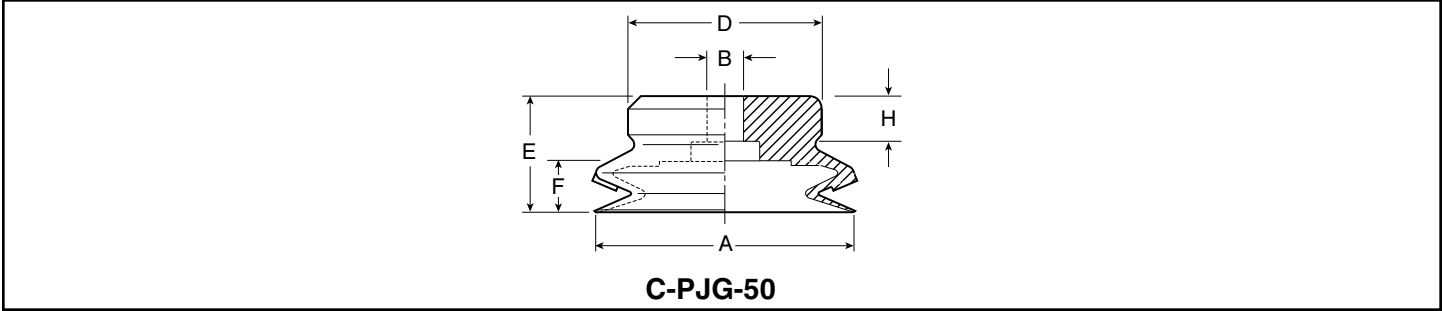
C-PJG-20

ANVER Item No.	øA in. (mm)	øB in. (mm)	øC in. (mm)	øD in. (mm)	E in. (mm)	F in. (mm)	H in. (mm)
C-BS1.5-20-NBR PJG-20-NBR	0.79 (20)	0.22 (5.5)	0.43 (11)	0.59 (15)	0.53 (13.5)	0.16 (4.1)	0.20 (5.0)
C-BS1.5-20-SIT PJG-20-SIT	0.79 (20)	0.22 (5.5)	0.43 (11)	0.59 (15)	0.53 (13.5)	0.16 (4.1)	0.20 (5.0)
C-BS1.5-20-PUR PJG-20-PUR	0.79 (20)	0.22 (5.5)	0.43 (11)	0.59 (15)	0.53 (13.5)	0.16 (4.1)	0.20 (5.0)

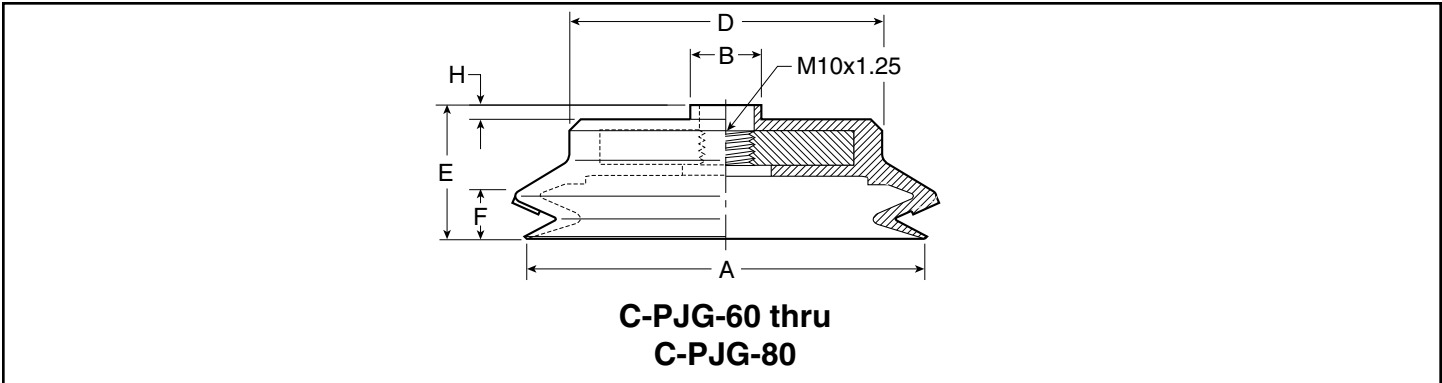


**C-PJG-30 thru
C-PJG-40**

ANVER Item No.	øA in. (mm)	øB in. (mm)	øC in. (mm)	øD in. (mm)	E in. (mm)	F in. (mm)	H in. (mm)
C-BS1.5-30-NBR PJG-30-NBR	1.20 (30)	0.22 (5.5)	0.43 (11)	0.79 (20)	0.69 (17.5)	0.24 (6)	0.28 (7)
C-BS1.5-30-SIT PJG-30-SIT	1.20 (30)	0.22 (5.5)	0.43 (11)	0.79 (20)	0.69 (17.5)	0.24 (6)	0.28 (7)
C-BS1.5-30-PUR PJG-30-PUR	1.20 (30)	0.22 (5.5)	0.43 (11)	0.79 (20)	0.69 (17.5)	0.24 (6)	0.28 (7)
C-BS1.5-40-NBR PJG-40-NBR	1.57 (40)	0.23 (5.8)	0.43 (10.8)	1.18 (30)	0.71 (18)	0.28 (7.2)	0.28 (7)
C-BS1.5-40-SIT PJG-40-SIT	1.57 (40)	0.23 (5.8)	0.43 (10.8)	1.18 (30)	0.71 (18)	0.28 (7.2)	0.28 (7)
C-BS1.5-40-PUR PJG-40-PUR	1.57 (40)	0.23 (5.8)	0.43 (10.8)	1.18 (30)	0.71 (18)	0.28 (7.2)	0.28 (7)



ANVER Item No.	øA in. (mm)	øB in. (mm)	øD in. (mm)	E in. (mm)	F in. (mm)	H in. (mm)
C-BS1.5-50-NBR C-PJG-50-NBR	1.97 (50)	0.31 (7.8)	1.57 (40)	0.79 (20)	0.35 (9)	0.28 (7)
C-BS1.5-50-SIT C-PJG-50-SIT	1.97 (50)	0.31 (7.8)	1.57 (40)	0.79 (20)	0.35 (9)	0.28 (7)
C-BS1.5-50-PUR C-PJG-50-PUR	1.97 (50)	0.31 (7.8)	1.57 (40)	0.79 (20)	0.35 (9)	0.28 (7)



ANVER Item No.	øA in. (mm)	øB in. (mm)	øD in. (mm)	E in. (mm)	F in. (mm)	H in. (mm)
C-BS1.5-60-NBR C-PJG-60-NBR	2.36 (60)	0.49 (12.5)	1.77 (45)	0.89 (22.5)	0.31 (8)	0.10 (2.5)
C-BS1.5-60-SIT C-PJG-60-SIT	2.36 (60)	0.49 (12.5)	1.77 (45)	0.89 (22.5)	0.31 (8)	0.10 (2.5)
C-BS1.5-60-PUR C-PJG-60-PUR	2.36 (60)	0.49 (12.5)	1.77 (45)	0.89 (22.5)	0.31 (8)	0.10 (2.5)
C-BS1.5-70-NBR C-PJG-70-NBR	2.75 (70)	0.49 (12.5)	2.17 (55)	0.93 (23.5)	0.37 (9.5)	0.10 (2.5)
C-BS1.5-70-SIT C-PJG-70-SIT	2.75 (70)	0.49 (12.5)	2.17 (55)	0.93 (23.5)	0.37 (9.5)	0.10 (2.5)
C-BS1.5-70-PUR C-PJG-70-PUR	2.75 (70)	0.49 (12.5)	2.17 (55)	0.93 (23.5)	0.37 (9.5)	0.10 (2.5)

Vacuum Cups and Suction Cups



C-BS1.5 Short Bellows Vacuum Cups

ANVER Item No.	øA in. (mm)	øB in. (mm)	øD in. (mm)	E in. (mm)	F in. (mm)	H in. (mm)
C-BS1.5-80-NBR C-PJG-80-NBR	3.15 (80)	0.49 (12.5)	2.68 (68)	0.93 (23.5)	0.37 (9.5)	0.10 (2.5)
C-BS1.5-80-SIT C-PJG-80-SIT	3.15 (80)	0.49 (12.5)	2.68 (68)	0.93 (23.5)	0.37 (9.5)	0.10 (2.5)
C-BS1.5-80-PUR C-PJG-80-PUR	3.15 (80)	0.49 (12.5)	2.68 (68)	0.93 (23.5)	0.37 (9.5)	0.10 (2.5)