



**Material Codes:**

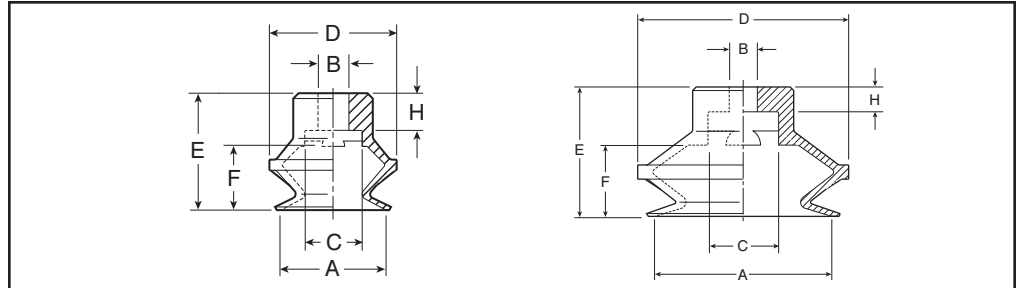
NBR: Nitrile      SIT: Silicone  
 PUR: Urethane    FPM: Viton®

**Features**

Bellows Design Offers Level Compensation for Low Head-Room Applications Soft Seal Lip Handles Flexible and Stacked Loads Diameters from 0.79" to 2.95" (20mm to 75mm)

**Applications:**

Ideal for curved, lightly textured/corrugated or flexible loads. For loads with various stacked heights or uneven surfaces. Not for vertical loads.

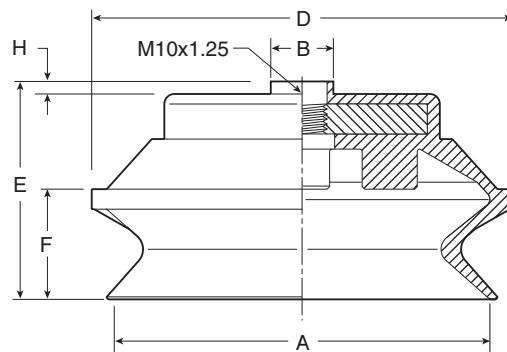


ANVER Item No.	øA in. (mm)	øB in. (mm)	øC in. (mm)	øD in. (mm)	E in. (mm)	F in. (mm)	H in. (mm)
C-B1.5-20-NBR PBG-20-NBR	0.79 (20)	0.18 (4.6)	0.43 (10.8)	0.94 (24)	0.77 (19.5)	0.47 (12)	0.18 (4.5)
C-B1.5-20-SIT PBG-20-SIT	0.79 (20)	0.18 (4.6)	0.43 (10.8)	0.94 (24)	0.77 (19.5)	0.47 (12)	0.18 (4.5)
C-B1.5-20-PUR PBG-20-PUR	0.79 (20)	0.18 (4.6)	0.43 (10.8)	0.94 (24)	0.77 (19.5)	0.47 (12)	0.18 (4.5)
C-B1.5-30-NBR PBG-30-NBR	1.18 (30)	0.23 (5.8)	0.43 (10.8)	1.42 (36)	1.20 (30.5)	0.67 (17)	0.28 (7)
C-B1.5-30-SIT PBG-30-SIT	1.18 (30)	0.23 (5.8)	0.43 (10.8)	1.42 (36)	1.20 (30.5)	0.67 (17)	0.28 (7)
C-B1.5-30-PUR PBG-30-PUR	1.18 (30)	0.23 (5.8)	0.43 (10.8)	1.42 (36)	1.20 (30.5)	0.67 (17)	0.28 (7)
C-B1.5-40-NBR PBG-40-NBR	1.57 (40)	0.23 (5.8)	0.43 (10.8)	1.81 (46)	1.20 (30.5)	0.61 (15.5)	0.28 (7)
C-B1.5-40-SIT PBG-40-SIT	1.57 (40)	0.23 (5.8)	0.43 (10.8)	1.81 (46)	1.20 (30.5)	0.61 (15.5)	0.28 (7)
C-B1.5-40-PUR PBG-40-PUR	1.57 (40)	0.23 (5.8)	0.43 (10.8)	1.81 (46)	1.20 (30.5)	0.61 (15.5)	0.28 (7)
C-B1.5-50-NBR PBG-50-NBR	1.97 (50)	0.31 (7.8)	0.78 (19.8)	2.34 (59.5)	1.44 (36.5)	0.79 (20)	0.28 (7)
C-B1.5-50-SIT PBG-50-SIT	1.97 (50)	0.31 (7.8)	0.78 (19.8)	2.34 (59.5)	1.44 (36.5)	0.79 (20)	0.28 (7)
C-B1.5-50-PUR PBG-50-PUR	1.97 (50)	0.31 (7.8)	0.78 (19.8)	2.34 (59.5)	1.44 (36.5)	0.79 (20)	0.28 (7)

# Vacuum Cups and Suction Cups



## C-B1.5 Bellows Vacuum Cups



ANVER Item No.	øA in. (mm)	øB in. (mm)	øD in. (mm)	E in. (mm)	F in. (mm)	H in. (mm)
C-B1.5-75-NBR PBG-75-NBR	2.95 (75)	0.49 (12.5)	3.31 (84)	1.71 (43.5)	0.87 (22)	0.10 (2.5)
C-B1.5-75-SIT PBG-75-SIT	2.95 (75)	0.49 (12.5)	3.31 (84)	1.71 (43.5)	0.87 (22)	0.10 (2.5)