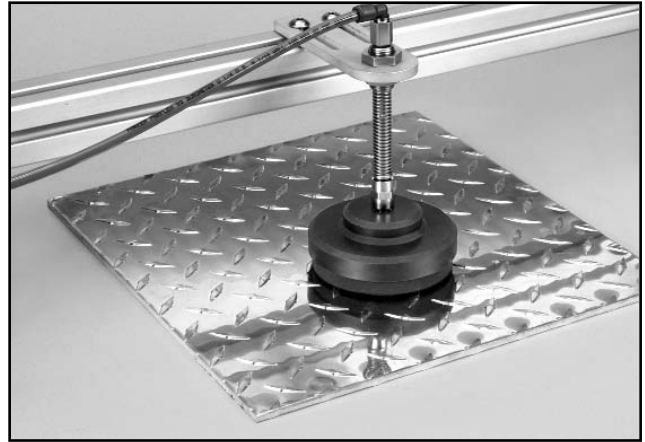


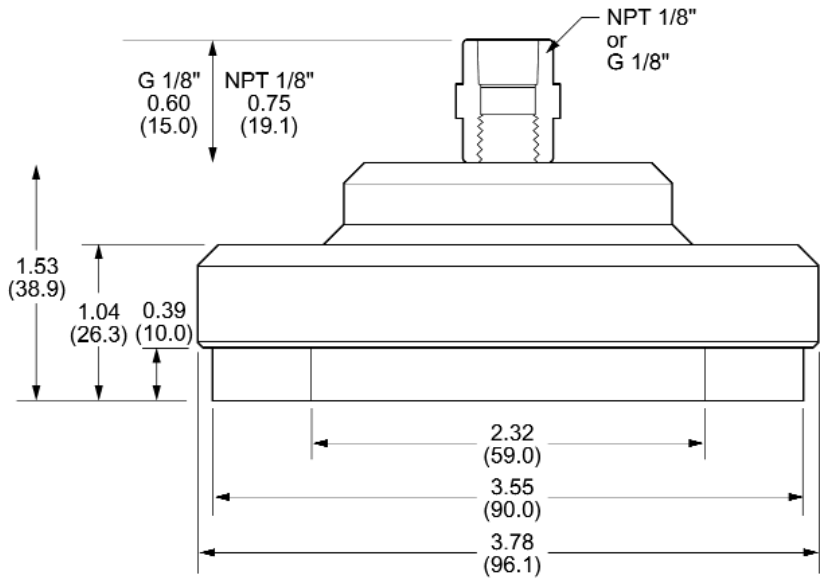


**Vacuum
Lifting System
Pads**



This assembly comes with a double female NPT 1/8" or G 1/8" coupling. This makes it ready to screw into our 1/8" suspensions. You can also take this adaptor coupling off, and use the male fitting which protrudes from the cup.

Material: Black Delrin



Part Number	Seal Type/ Use	Fitting	*Rated Load (Horizontal) lb (kg)	*Rated Load (Vertical) lb (kg)	Weight oz. (g)	Replacement Sealing Ring P/N	Fitting Group	Level Compensator Suspension
FP38-HS18-H1	Black Neoprene/ Uneven Surface	NPT 1/8"	35 (15.9)	17.5 (7.9)	6.2 (176)	FR-H1	Group 3	SLSA-2
FP38-HS18G-H1	Black Neoprene/ Uneven Surface	G 1/8"	35 (15.9)	17.5 (7.9)	6.2 (176)	FR-H1	Group 3	SLSA-2
FP38-HS18-H5	Blue Latex/ Rough Surface	NPT 1/8"	35 (15.9)	17.5 (7.9)	6.2 (176)	FR-H5	Group 3	SLSA-2
FP38-HS18G-H5	Blue Latex/ Rough Surface	G 1/8"	35 (15.9)	17.5 (7.9)	6.2 (176)	FR-H5	Group 3	SLSA-2

** Rated load capacity at 22 in. Hg vacuum, when used in the horizontal plane, and based on a safety factor of 2.

Divide again by 2 for vertical application.

Actual capacity depends on load surface, and condition of the vacuum generating system, and must be determined by the user.