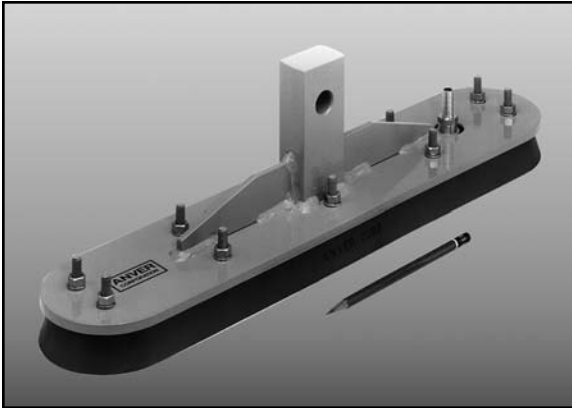


# Vacuum Cups and Suction Cups



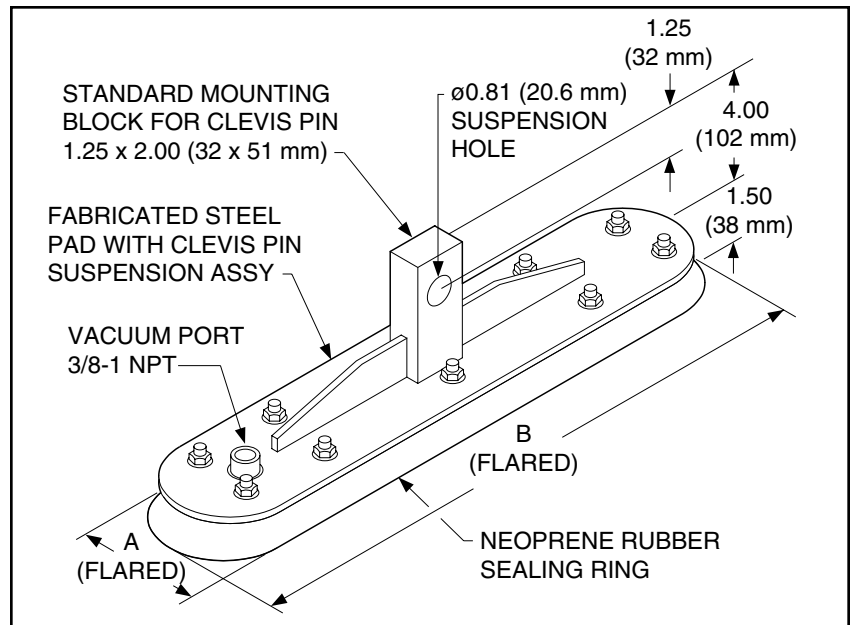
## Heavy-Duty Oval Bolt-On Pads



These Heavy-Duty Bolt-On Pads feature replaceable sealing rings made of non-marring Neoprene rubber. The long lips on these rings make them ideal for handling cylindrical objects such as tanks and large cylinders.

These pads come either with clevis or blank. Special mountings also available.

- Heavy-duty steel construction
- Replaceable seals
- Custom mounting (special request)



ANVER Item No.	Description	Replacement Sealing Ring	B Length in. (mm)	A Width in. (mm)	Rated Load lbs. (kg)
VP4512C-NBR	Oval Vacuum Pad, 4.5" x 12" Clevis Mount (Neoprene)	SR-4512BOR	12.5 (318)	5 (127)	250 (114)
VP4517C-NBR	Oval Vacuum Pad, 4.5" x 17" Clevis Mount (Neoprene)	SR-4517BOR	17.5 (445)	5 (127)	375 (170)
VP4522C-NBR	Oval Vacuum Pad, 4.5" x 22" Clevis Mount (Neoprene)	SR-4522BOR	22.5 (572)	5 (127)	500 (227)