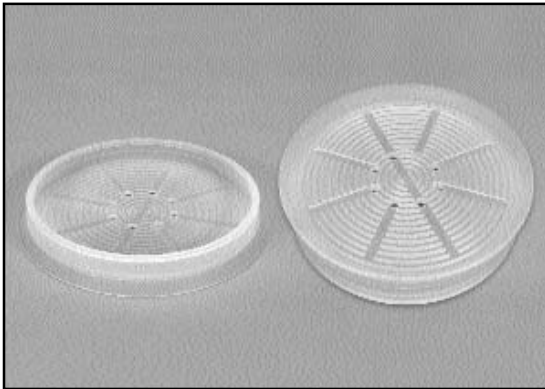


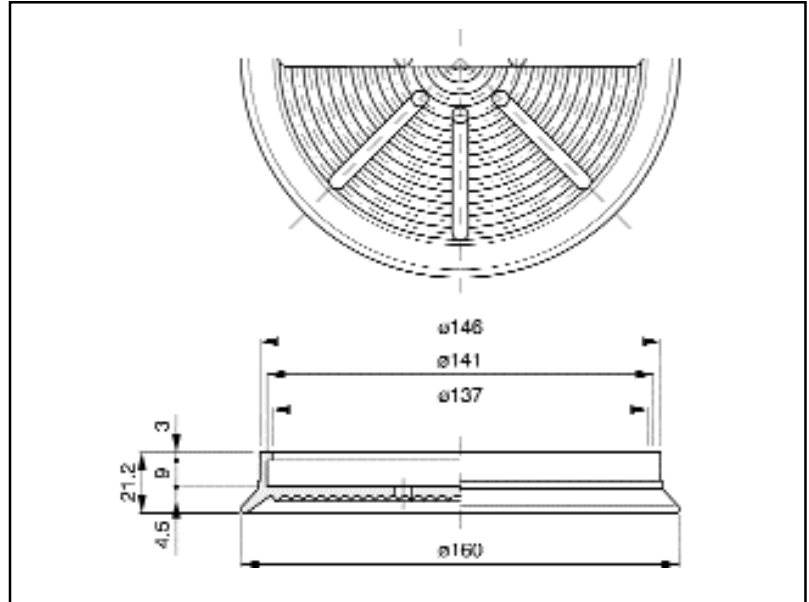
# Vacuum Cups & Suction Cups



## Silicone and Nitrile Slip-On Sealing Rings



These seals are designed for use on flat, smooth surfaces. Their low headroom and minimal flex make them an excellent choice for clamping and fixture devices, making these vacuum pads a versatile and economic choice for a variety of applications.



ANVER Item Number	Dia. in (mm)	Height in (mm)	Bottom Surface	Material
A-0100006030	6.30 (160)	0.83 (21.2)	Cleated	Silicone