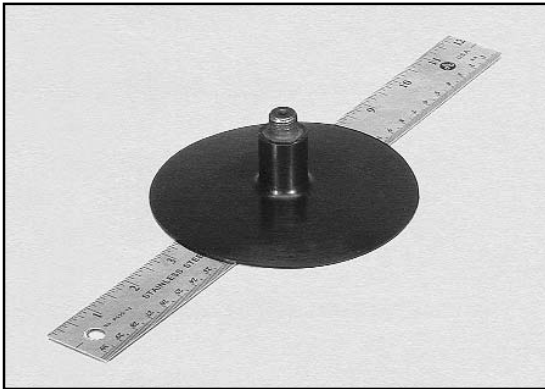


Vacuum Cups & Suction Cups



Ultra-Flat Suction Cup

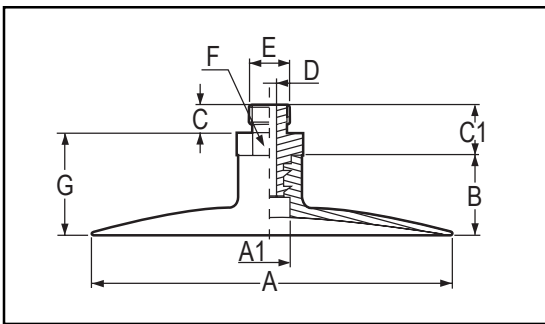


For Handling Even Narrow Workpieces

The SFC-120 Ultra-Flat Suction Cup is designed for gripping sheet materials of various shapes and sizes, including flat materials in varying widths. Because of its ultra-flat shape, this suction cup can handle objects much narrower than itself (minimum width 25 mm).

The unique design, with the long, tapered sealing lip, allows the cup to adapt to material surfaces including lightly uneven surfaces and can be used for sensitive materials. The cup works best on materials that are smooth, flat and fairly rigid. There can be no debris under the cup or it will not seal. The cup is made of epichlor-H-rubber ECO making it very resistant to chemicals.

This is a hard-wearing suction cup with an metal 1/4" male nipple vulcanized into the single sealing lip pad and provides maximum strength while handling sheet loads. This is a highly specialized vacuum cup. It's suitability really needs to be tested on a load before being able to be certain it will work right. It is best for sheet materials.



ANVER Item Number	Vacuum in N	Internal Volume in cm ³	Flex of sealing lip	A in. (mm)	A1 in. (mm)	B in. (mm)	C in. (mm)	C1 in. (mm)	D in. (mm)	E in. (mm)	F in. (mm)	G in. (mm)
SFC-120	200	2.14	3.4	4.72 (120)	0.51 (13)	1.10 (28)	0.39 (10)	0.71 (18)	0.18 (4.5)	0.25 (6.4)	0.75 (19)	1.42 (36)