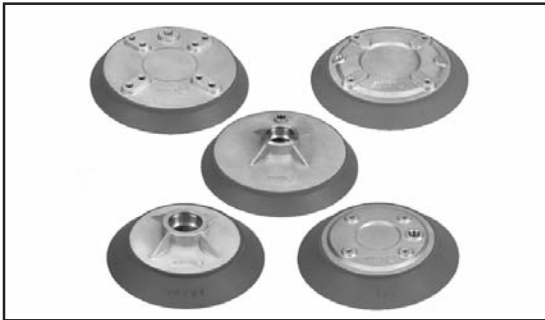


# Vacuum Cups & Suction Cups



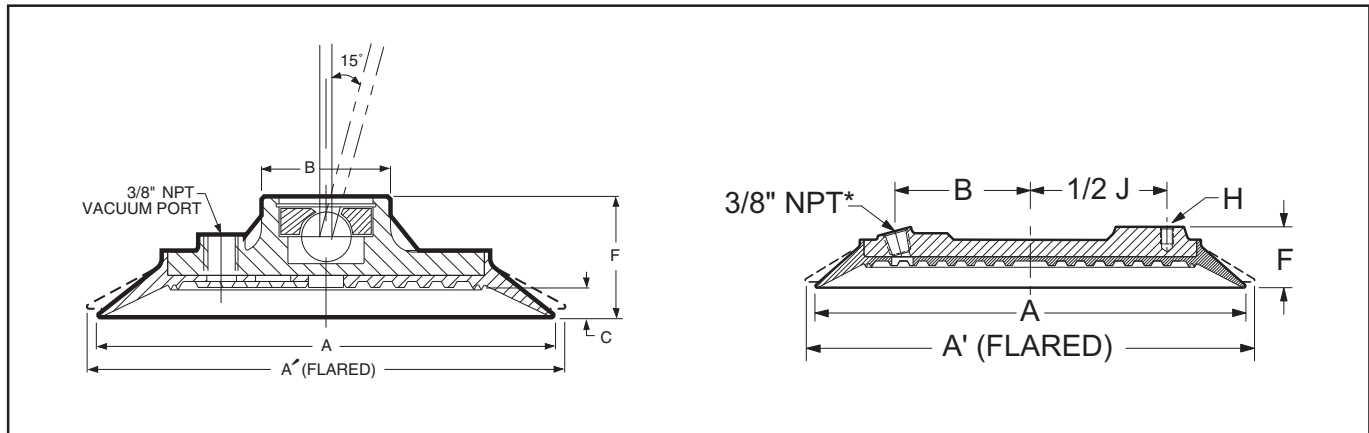
**VC Series: VC95R-4, VC95Q, VC119-4, VC119Q and VC125Q-2**



ANVER's Large Vacuum Cups with ball swivel mounting are excellent for handling large loads where it is necessary to compensate for uneven or wavy surfaces.

**Features:**

- Rugged construction designed for production use.
- Pivoting suspension rod adjusts to flexible or irregular loads.
- Two inside sealing edges make contact after vacuum is attained and become the main sealing edges for safety.
- Excellent for horizontal or vertical applications. For vertical applications, two or more rows of cups are recommended.
- Standard rubber is 40-45 Durometer Neoprene. Silicone available upon request.



ANVER Item No.	A Dia. in. (mm)	A' Dia. in. (mm)	B Rim Width in. (mm)	F Height in. (mm)	C Flex in. (mm)	Vacuum Port	H Bolt Size	J Bolt Circle in. (mm)	*Rated Load lb. (kg)	Cup Weight lb. (kg)	Suspension Assembly Number
VC95R-4	9.75 (248)	10.00 (254)	2.75 (70)	2.55 (65)	0.66 (17)	3/8" NPT	N/A	N/A	250 (113)	2.75 (1.25)	PS95S Series
VC95Q	9.75 (248)	10.00 (254)	2.13 (54)	1.55 (39)	0.66 (17)	3/8" NPT	5/16-18 UNC	4.5 (114)	250 (113)	2.75 (1.25)	PS95Q/C Series
VC95Q-SI	9.75 (248)	10.00 (254)	2.13 (54)	1.55 (39)	0.66 (17)	3/8" NPT	5/16-18 UNC	4.5 (114)	250 (113)	2.75 (1.25)	PS95Q/C Series
VC119-4	12.25 (311)	12.50 (318)	2.75 (70)	2.50 (64)	0.50 (13)	3/8" NPT	N/A	N/A	500 (227)	5.44 (2.47)	PS119S Series
VC119-4-SI	12.25 (311)	12.50 (318)	2.75 (70)	2.50 (64)	0.50 (13)	3/8" NPT	N/A	N/A	500 (227)	5.44 (2.47)	PS119S Series
VC119Q	12.25 (311)	12.50 (318)	3.56 (90)	1.63 (41)	0.50 (13)	3/8" NPT	3/8-16 UNC	Inner 5.66 (144) Outer 8.00 (203)	500 (227)	5.44 (2.47)	Info to Come
VC125Q-2	12.75 (324)	13.00 (330)	4.00 (102)	1.78 (45)	0.65 (17)	3/8" NPT	3/8-16 UNC	8.00 (203)	500 (227)	Info to Come	PS125Q/C Series
VC125Q-2-SI	12.75 (324)	13.00 (330)	4.00 (102)	1.78 (45)	0.65 (17)	3/8" NPT	3/8-16 UNC	8.00 (203)	500 (227)	Info to Come	PS125Q/C Series

\* The cup capacities shown above are based on 24"Hg at sea level with a safety factor of two (2) in the horizontal (flat), and four (4) in the vertical (upright).

Rated Load Capacities are estimated; actual capacity will vary based on the load surface and the level of vacuum.

► This spec sheet was adapted for print from our website. Additional information and photos are available at [www.anver.com](http://www.anver.com). 4031501